

BALDOR® • RELIANCE 

Product Information Packet

ZDBRPM25754

75HP, 1750RPM, 3PH, 60HZ, 2586, TEBC, FOOT

Part Detail							
Revision:	B	Status:	PRD/A	Change #:		Proprietary:	No
Type:	AC	Elec. Spec:	L3272A	CD Diagram:	422927-001	Mfg Plant:	
Mech. Spec:		Layout:	617581-349	Poles:	04	Created Date:	04-10-2015
Base:		Eff. Date:	07-22-2019	Leads:			

Specs			
Catalog Number:	ZDBRPM25754		
Enclosure:	TEBC		
Frame:	FL2586Z		
Frame Material:	Exposed Laminations		
Output @ Frequency:	75.000 HP @ 60 HZ		
Synchronous Speed @ Frequency:	1800 RPM @ 60 HZ		
Voltage @ Frequency:	460.0 V @ 60 HZ		
Agency Approvals:	CCSA US		
Auxillary Box:	No Auxillary Box		
Base Indicator:	Rigid		
Bearing Grease Type:	No Grease		
Current @ Voltage:	95.000 A @ 460.0 V		
Duty Rating:	CONT		
Feedback Device:	ENCODER		
Frame Prefix:	FL		
Heater Indicator:	No Heater		
Insulation Class:	H		
Mounting Arrangement:	F3		

Product Family:	General Industrial		
Pulley End Bearing Type:	Ball		
Pulley Face Code:	Standard		
Shaft Ground Indicator:	No Shaft Grounding		
Shaft Rotation:	Reversible		
Motor Standards:	NEMA		
Thermal Device - Bearing:	None		
Thermal Device - Winding:	Normally Closed Thermostat		

Nameplate 000613006NS												
	DUTY		HP		RPM		AMPS		VOLTS		HZ	
	CONT		75		1775		95		460		60	
	CONT		75		3545		88		460		120	
CAT.NO.	ZDBRPM25754				SPEC. NO.	P25T0315						
SER.NO.					FR	FL 2586Z		INSUL	H			
PH.	3		MAX SAFE SPEED	5000			AMB.	40			MIN. AMB.	-25
DESIGN NO.	L3272A				TYPE							
S.F.	1.0				D.E. BRG.	65BC03JPP30A						
ENCL MOD					O.D.E. BRG.	50BC03JPP30A						

Parts List		
Part Number	Description	Quantity
WS286694	WS P25T0315	1.000 EA
RA282902	RA P25T0315	1.000 EA
000613006NS	RPM AC WITH CERTIFIED LOGO	1.000 EA
000692000FP	NP, WARNING LIFT INSTRUCTIONS	1.000 EA
000692000NH	LABEL DIRECTION AIR FL	1.000 EA
000692000VD	LABEL WARNING	1.000 EA
418018122A	LABEL	2.000 EA
418056062B	NP AC BLOWER DATA	1.000 EA
418057747A	METAL FASTENER	8.000 EA
422927001	C/D LABEL	1.000 EA
036100080KA	M10-1.50X 80MM HXSOCHDCS	3.000 EA
036500010AB	METRIC NUT M10-1.5PLTD400	4.000 EA
036500010AB	METRIC NUT M10-1.5PLTD400	4.000 EA
036610010AB	MHSLW M10 PLATED	4.000 EA
400638001H	SPRING WASHER (Customer number 43699)	1.000 EA
418057491A	LIFTING LUG	2.000 EA
HA4054	SHORT T-DRAIN FITTING, .125" N.P.T.	1.000 EA
HA4054	SHORT T-DRAIN FITTING, .125" N.P.T.	1.000 EA
609830005ABP	TBOLT	4.000 EA
807582003AAA	BRKT,DE,250AC	1.000 EA
807582004AAB	BRKT,ODE,L250	1.000 EA
032018004AK	HHCS 1/4-20X1/2 PLATED	2.000 EA
032018008DK	HHCS 1/2-13X1 PLATED	4.000 EA
032018010DK	HHCS 1/2-13X1-1/4 PLATED	2.000 EA

Parts List (continued)		
Part Number	Description	Quantity
036000012HB	HHCS M6X12MM LONG PLATED	3.000 EA
036000045HB	MHHCS M6X45MM PLATED	4.000 EA
036310010FB	RHMS TERM/BLK MTG	2.000 EA
036320008CB	M2.5 SCREW	4.000 EA
036500006AB	M4-0.7 METRIC HEX NUT	2.000 EA
036620008AB	M6 METRIC EXT LOCKWASHER	1.000 EA
065591000B	GASK 250-280	1.000 EA
075454001AJ	C/BOX, PAINTED 250-280	1.000 EA
075455000A	CBOXC, PAINTED 250-280	1.000 EA
406673002C	.75 CAP PLUG	1.000 EA
415000103A	T/LUG #14AWG-#4AWG W/HOLE FOR .250 BOLT	1.000 EA
417733004AC	GASK C/BOX	2.000 EA
418018074A	GROUND LABEL G100 METRIC 160 D.C.	1.000 EA
418057260A	SCREW PHILLIPS PAN HD	4.000 EA
418057367A	CLIP, BEI TACH	2.000 EA
418057373A	SCREW SHEET METAL	7.000 EA
418057499A	PLATE	1.000 EA
422962051B	STUB SHAFT	1.000 EA
607980192B	RF,BEI,HS35,TWISTLOCK	1.000 EA
417077-141	BLWR MTR	1.000 EA
708533003A	PLATE, BTM FAN/BLOWER	2.000 EA
708534003A	BAFFLE, FAN/BLOWER	1.000 EA
708534050B	GRILL, FAN COVER	1.000 EA
708534051A	FL250 FAN GRILL	1.000 EA

Product Information Packet: ZDBRPM25754 - 75HP, 1750RPM,3PH,60HZ,2586,TEBC,FOOT

000640000P	TAG WINDING THERMOST	1.000 EA
004824007K	SPECIAL PAINT	0.100 EA
034180024GA	KEY 1/2X1/2X3 L	1.000 EA
418010012J	CONDUIT BOX SPACER	1.000 EA

REL. S.O.	-	VOLTS	460	ENCLOSURE	TEBC	WYE CONN EQ CKT OHMS PER PHASE (AT BASE RATING, 25 °C)
FRAME	FL2586	AMPS	96	MAX SAFE RPM	5000	
HP	75	DUTY	CONT	IM (AMPS)	48	R1 .0443 X1 .229
BASE SPEED	1775	S.F.	1.0	P.F.@NL/FL	.045/.804	R2 .0311 X2 .333
PHASE/HERTZ	3/60	AMB °C/INSUL	40/H	WK ² (LB-FT ²)	4.9	XM 5.73

RATED FULL LOAD DATA


	RPM	HP	TORQUE LB-FT	FUND VOLTS	FREQ-HZ	AMPS
BASE SPEED	1776	75.0	222	460	60	95.3
MAX SPEED	3547	75.1	111	460	120	87.6
MIN SPEED	0	0	222	12.2	.814	95.3

LOAD PERFORMANCE AT BASE SPEED

	RPM	HP	TORQUE LB-FT	FUND VOLTS	FREQ-HZ	AMPS
NO LOAD	1800	0	0	460	60	46.6
1/4	1794	18.8	55	460	60	52.1
1/2	1788	37.5	110	460	60	62.9
3/4	1782	56.2	166	460	60	77.9
FULL LOAD	1776	75.0	222	460	60	95.3
O/L	1746	148	444	460	60	177

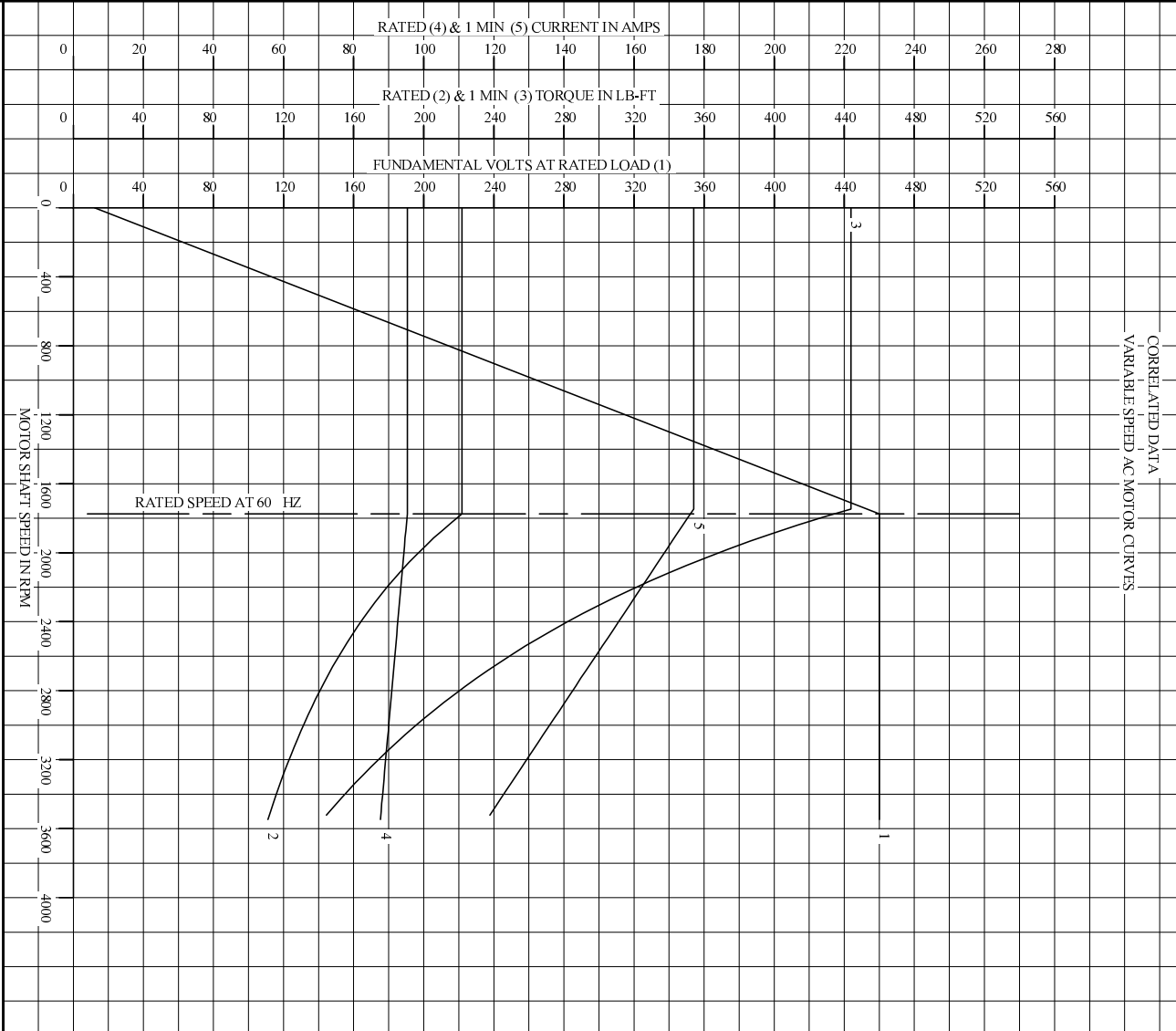
BLOWER DATA	VOLTS	PH/HZ	FL AMPS	LR AMPS	FRAME	CFM

REMARKS: TYPICAL DATA
CORRELATED DATA

	DR. BY	B. GRANT	A-C MOTOR PERFORMANCE DATA
	CK. BY	T. CUER	
	APP. BY	9-7-06	
	DATE	9-7-06	

ISSUE DATE 9-7-06

REL. S.O.	-	VOLTS	460	ENCLOSURE	TEBC	WYE CONN EQ CKT OHMS PER PHASE
FRAME	FL2586	AMPS	96	MAX SAFE RPM	5000	(AT BASE RATING, 25 °C)
HP	75	DUTY	CONT	IM (AMPS)	48	X1 .229
BASE SPEED	1775	S.F.	1.0	P.F.@NL/FL	.045/.804	R2 .0311 X2 .333
PHASE/HERTZ	3/60	AMB C _i /INSUL	40/H	WK ² (LB-FT ²)	4.9	XM 5.73

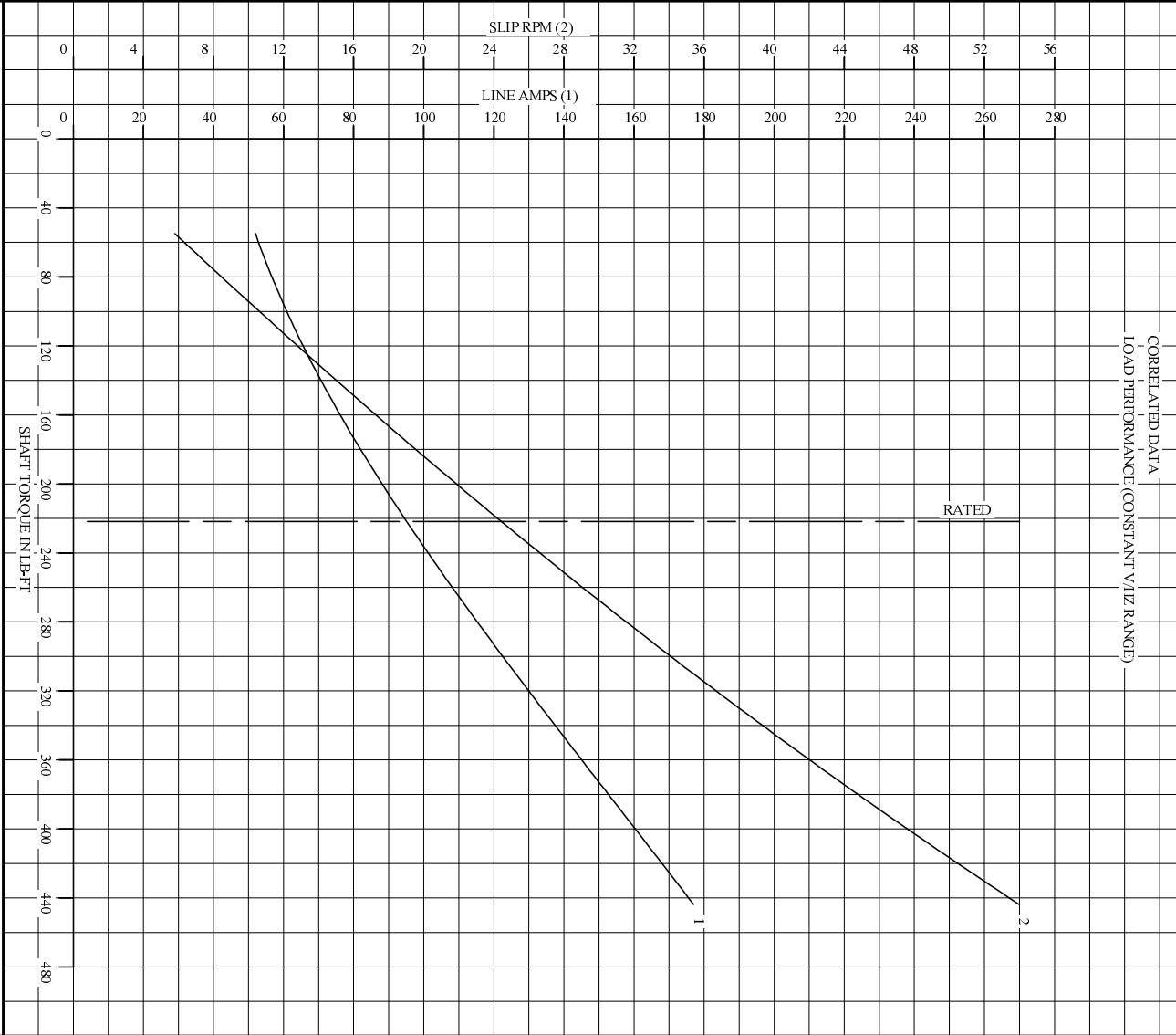


REMARKS: TYPICAL DATA
DATA VALID FOR NAMEPLATE SPEED RANGE ONLY

	DR. BY	B. GRANT	A-C MOTOR PERFORMANCE CURVES ISSUE DATE 9-7-06
	CK. BY	B. GRANT	
	APP. BY	T. CURR	
	DATE	9-7-06	

L3272A
SH 1 OF 2

REL S.O.	-	VOLTS	460	ENCLOSURE	TEBC	WYE CONN EQ CKT OHMS PER PHASE
FRAME	FL2586	AMPS	96	MAX SAFE RPM	5000	(AT BASE RATING, 25 °C)
HP	75	DUTY	CONT	IM (AMPS)	48	X1 .229
BASE SPEED	1775	S.F.	1.0	P.F.@NL/FL	.045/.804	R1 .0443 R2 .0311 X2 .333
PHASE/HERTZ	3/60	AMB C/INSUL	40/H	WK ² (LB-FT ²)	4.9	XM 5.73

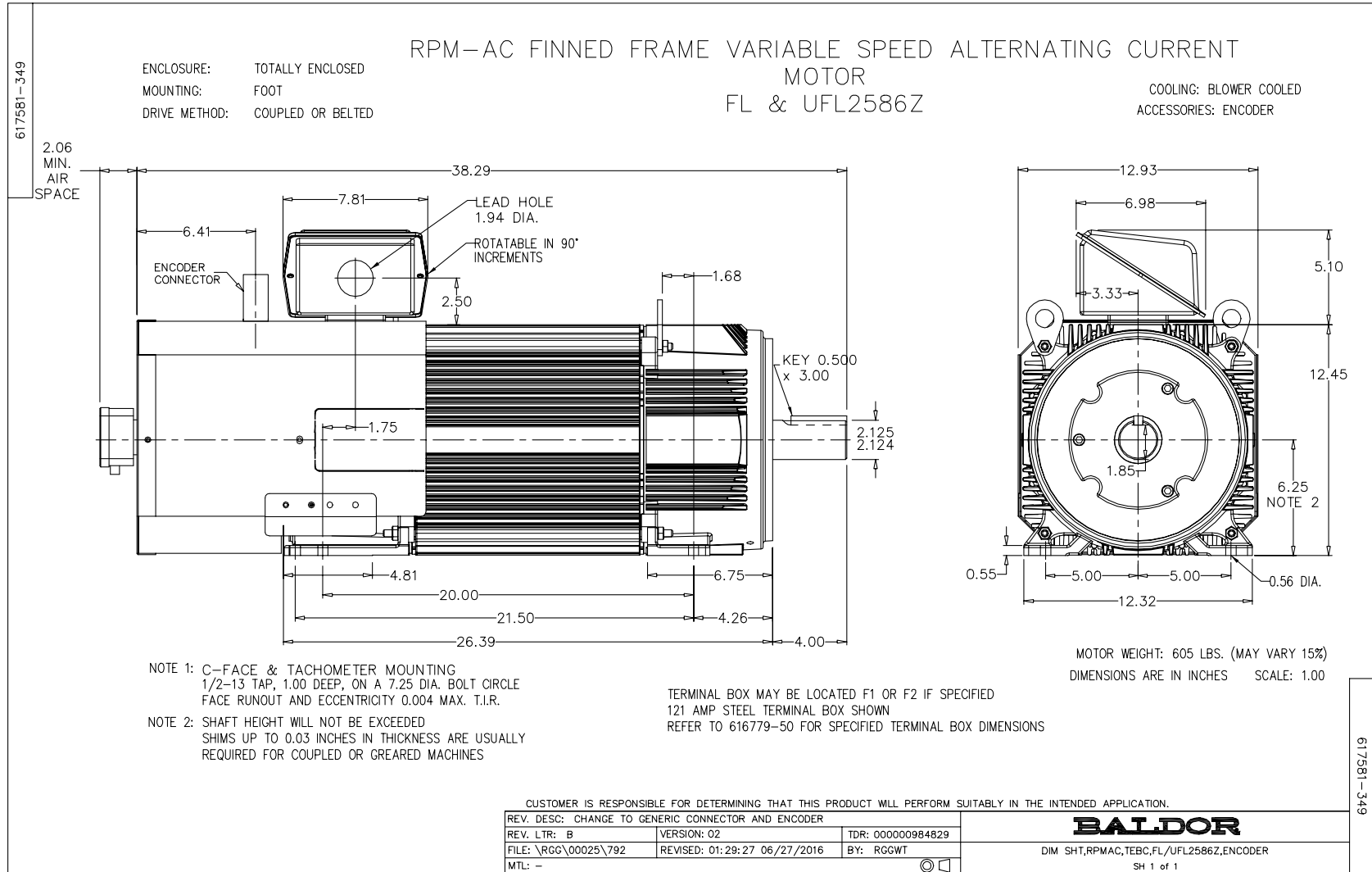


REMARKS: TYPICAL DATA
DATA VALID FOR NAMEPLATE SPEED RANGE ONLY

BALDOR	DR. BY	B. GRANT
RELIANCE	CK. BY	B. GRANT
	APP. BY	T. CURR
	DATE	9-7-06

A-C MOTOR PERFORMANCE CURVES

L3272A
SH20F2
ISSUE DATE 9-7-06

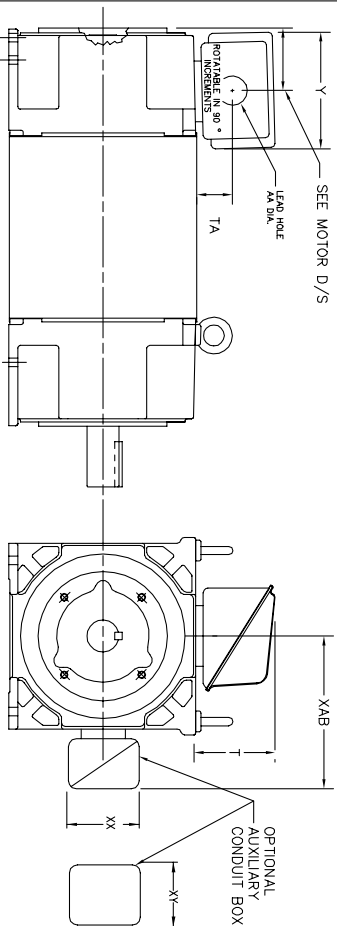


616779-050

INDUSTRIAL ALTERNATING CURRENT MOTORS

RPM AC

STEEL, CAST IRON, MILL AND TERMINAL BOARD CONDUIT BOX DIMENSIONS
 NEMA FRAMES RL210 thru RL280 and IEC FRAMES RDL132 thru RDL180
 NEMA FRAMES FL180 thru FL280 and IEC FRAMES FDL112 thru FDL180



FRAME	TYPE	TERMINAL STRIP	AMPS	C/BOX	Y	TA	T	AA
FL180	STEEL	N	40	706320003A	5.00	1.62	3.00	1.12
FL180	STEEL	Y/N	7/5	706320005A	6.12	2.38	4.38	1.75/2.00
FL180	STEEL	N	208	706320007A	7.62	2.00	7.00	2.50/3.00
FL180 & FDL11	CAST IRON	Y/N	60	706320004C	5.75	2.38	4.38	1.0 TAP
FL180 & FDL11	MILL	Y	100	706310056A	7.75	2.30	4.40	PG29/PG16

FL210 & RL210	STEEL	N	61	0754520008	6.34	2.00	4.12	1.75
FL210 & RL210	STEEL	N	121	075454001AJ	7.69	2.38	5.25	1.94
FL210 & RL210	STEEL	N	305	706320016A	9.00	4.12	8.44	4.59
FL210 & RL210	CAST IRON	N	110	0754600628	7.25	2.50	5.25	1.5 TAP
FL210 & RL210	MILL	Y	100	706310225R	7.75	2.30	4.40	PG29/PG16
FL210 & RL210	MILL	Y	160	706310226R	9.00	3.06	5.40	PG36/PG16
FL210 & RL210	MILL	Y	160	706310056B	9.00	3.06	5.40	PG36/PG16
FL210 & RL210	MILL	Y	400	706310063B	14.39	7.43	12.15	BLANK

FL250 & RL250	STEEL	N	61	0754520008	6.34	2.00	4.12	1.75
FL250 & RL250	STEEL	N	121	075454001AJ	7.69	2.38	5.25	1.94
FL250 & RL250	STEEL	N	305	706320016A	9.00	4.12	8.44	4.59
FL250 & RL250	CAST IRON	N	110	0754600628	7.25	2.50	5.25	1.5 TAP
FL250 & RL250	CAST IRON	N	210	706320013A	10.50	4.88	9.00	4.0 TAP
FL250 & RL250	CAST IRON	N	510	706320014D	15.00	7.56	12.81	5.0 TAP
FL250 & RL250	MILL	Y	100	706310056A	7.75	2.30	4.40	PG29/PG16
FL250 & RL250	MILL	Y	160	706310226R	9.00	3.06	5.40	PG36/PG16
FL250 & RL250	MILL	Y	160	706310056B	9.00	3.06	5.40	PG36/PG16
FL250 & RL250	MILL	Y	400	706310063B	14.39	7.43	12.15	BLANK

FL280 & RL280	STEEL	N	160	706320009A	7.25	3.50	7.06	2.50
FL280 & RL280	STEEL	N	305	706320016A	9.00	4.12	8.44	4.59
FL280 & RL280	STEEL	N	500	702658001C	14.62	7.56	12.70	5.00
FL280 & RL280	CAST IRON	N	140	706320012B	9.25	4.81	8.56	3.0 TAP
FL280 & RL280	CAST IRON	N	210	706320013A	10.50	4.88	9.00	4.0 TAP
FL280 & RL280	CAST IRON	N	510	706320014D	15.00	7.56	12.81	5.0 TAP
FL280 & RL280	MILL	Y	100	706310056A	7.75	2.30	4.40	PG29/PG16
FL280 & RL280	MILL	Y	160	706310056B	9.00	3.06	5.40	PG36/PG16
FL280 & RL280	MILL	Y	160	706310056B	9.00	3.06	5.40	PG36/PG16
FL280 & RL280	MILL	Y	400	706310063B	14.39	7.43	12.15	BLANK

FRAME SIZE	XAB	OPTIMAL AUXILIARY CONDUIT BOX DIMENSIONS (MAXIMUM)							
		XX	XY	XT	YT				
FL180/FL180/RL210/RL132	7.38	4.25	4.25	60PC007-26-A	FL180/FL180/RL210/RL132	10.88	8.00	8.00	706310-3-B
FL180/FL180/RL210/RL160	8.44	4.25	4.25	60PC007-26-A	FL180/FL180/RL210/RL160	11.88	8.00	8.00	706310-3-B
FL280/FL180/RL280/RL180	9.12	4.25	4.25	60PC007-26-A	FL280/FL180/RL280/RL180	12.62	8.00	8.00	706310-3-B

- (1) TAP CONDUIT
- (2) TAP PIPE TAP
- (3) CUSTOMER TO PROVIDE HOLE FOR CONDUIT.
- (4) 2" DN -5A or 1" TAP DN -4C

TERMINAL BOX CAN BE KEPT FOR LEAD OUTLET AT TOP SIDES OR BOTTOM TERMINAL BOX CAN BE KEPT FOR LEAD OUTLET AT TOP SIDES OR BOTTOM SIDE. LEAD IN/OUT DIMENSIONS SPECIFIED IN BOX LOCATED ON TYP WHEN SPECIFIED.

050-667919

CUSTOMER IS RESPONSIBLE FOR DETERMINING THAT BALDOR'S PRODUCT WILL PERFORM SUITABLY IN THE INTENDED APPLICATION.

REV. DESC: ADD C/BOX 706310-225 & -226R	VERSION: 05	TDR: 000001093792
REV. LTR: E	REVISED: 07: 27: 52 12/18/2018	BY: RGGWT
FILE: \RGG\00003\692		
MTL: 1		

BALDOR - RELIANCE®

DIM SHT NEMA RL210-RL280 FL180-FL280 IEC RDL132-RDL180

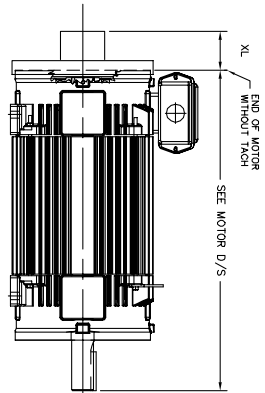
SH 1 of 1

RPM AC TACHOMETER DIMENSIONS
 NEMA FRAMES FL180 thru FL440 and IEC FRAMES FDL112 thru FDL280
 DIMENSIONS ARE IN INCHES(mm)

DPV, DPSV, TEPV, TESV, TENV & TEAO-PB
 IC06, IC17, IC37, IC410, & IC416-PB

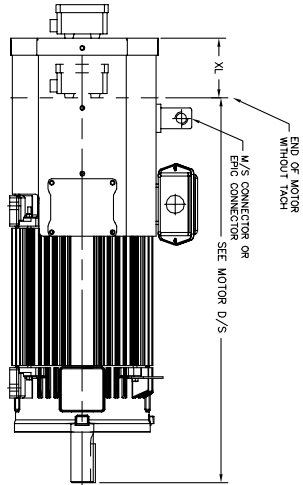
616779-055

TACH MODEL	XL Inche(st/mm)	LBS.
BELT DRIVAR HS35	2.88 (74)	5
DYNAPAR H20 *	7.50(191)MAX	10
NORTHSTAR HS35M	3.31 (84)	10
NORTHSTAR ST67	2.88 (74)	5
DYNAPAR HS6	10.56 (268)	40
AVTRON M3 DR M4	3.62 (92)	10
TAMGAMA T55013(X1)	6.00 (152)	10
NORTHSTAR ST65	2.88 (74)	5
NORTHSTAR ST85	2.00 (51)	5
BELT H20B	10.19 (259)	15
TAMGAMA T32151	2.64 (67)	15
BELT HS35	7.50 (191)	15
DYNAPAR HS20	2.00 (50.8)	5
DYNAPAR X23	12.88 (327)	10
STIEGMANN SRK25	7.25 (184.4)	10
NORTHSTAR HS035	3.00 (76.2)	10
HEIDENHAIN EGN425	2.5 (63.5)	5
AVTRON HS35M	4.19 (106.4)	5
HEIDENHAIN ERN480	5.00 (76.2)	5
DYNAPAR HD25	7.00 (177.8)	10
DYNAPAR H22	3.62 (92.1)	5
AVTRON M285	2.54 (64.5)	9
AVTRON AV850	2.54 (64.5)	9
AVTRON AV56	4.50 (115)	15
HS125	3.30 (84)	5
HS128	3.30 (84)	2
NORTHSTAR P18	3.25 (83)	15
DYNAPAR HA625	5.88 (150)	10
AVTRON AV495	9.50 (241)	18
AVTRON AV32	1.93 (49)	1.6
DYNAPAR RH25	3.80 (97)	1.7
AVTRON AV85	2.40 (64.5)	3

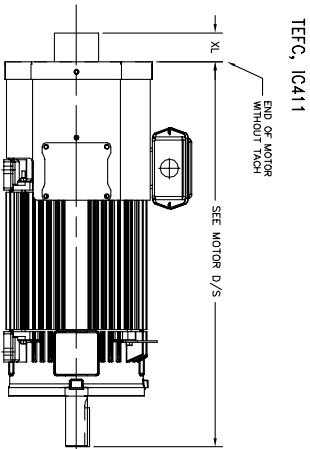


TEAO-BC, IC416-BC
 EXCLUDES NEMA FRAMES FL320 THRU FL440
 AND
 IEC FRAMES FDL200 THRU FDL280

TACH MODEL	XL Inche(st/mm)	LBS.
BELT DRIVAR HS35	4.50 (115)	10
DYNAPAR H20	4.50 (115)	15
AVTRON M3 DR M4	4.50 (115)	10
NORTHSTAR HS35M	4.50 (115)	15
NORTHSTAR ST65	4.50 (115)	10
NORTHSTAR ST85	4.50 (115)	10
NORTHSTAR ST67	4.50 (115)	5
TAMGAMA T55008, T55013	4.50 (115)	10
DYNAPAR HS20	4.50 (115)	15
STIEGMANN SRK25	4.50 (115)	10
STIEGMANN SRV/SR150	4.50 (115)	3
STIEGMANN SR350	4.50 (115)	15
H20D & H22E	4.50 (115)	15
AVTRON HS35M	4.50 (115)	10
AVTRON AV85	4.50 (115)	10
AVTRON HS5	4.50 (115)	5
AVTRON HA67	4.50 (115)	10
HS138	4.50 (115)	5
TS2014	4.50 (115)	10
AVTRON HS45	4.50 (115)	15
DYNAPAR HS038M	4.50 (115)	15
AVTRON AV32	4.50 (115)	7
AVTRON AV850	4.50 (115)	9



TACH MODEL	XL Inche(st/mm)	LBS.
BELT HS35	2.88 (74)	7
NORTHSTAR HS35M	3.31 (84)	10
DYNAPAR H20	3.75 (95)	15
DYNAPAR HS35, HS038	2.88 (74)	7
H20(XD)	9.75 (248)	35
EMAS	7.90 (201)	35
AVTRON HS35M	4.19 (106)	2
STIEGMANN SRK50	3.75 (95)	1
DYNAPAR H20	2.00 (51)	1
NORTHSTAR HS035	2.81 (71)	2
NORTHSTAR HS038	3.30 (84)	5
AVTRON AV32	1.93 (49)	1.7



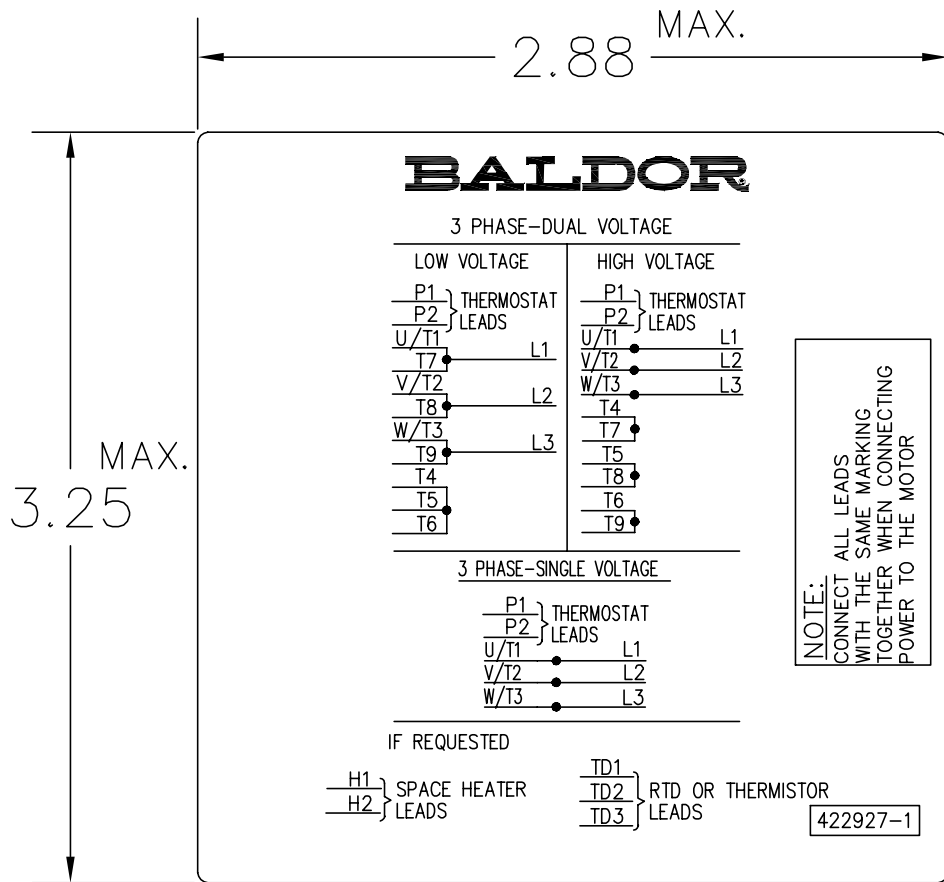
950-671919

CUSTOMER IS RESPONSIBLE FOR DETERMINING THAT BALDOR'S PRODUCT WILL PERFORM SUITABLY IN THE INTENDED APPLICATION.

REV. DESC: ADD AV85	VERSION: 25	TDR: 000001111552
REV. LTR: AA	REVISED: 03:54:15 06/26/2019	BY: RGGRRWM
FILE: \RGG\00003\694		
MTL: -		

BALDOR - RELIANCE[®]
 DIM SHT TACH DIM NEMA FL180 – FL440 IEC FDL112 – FDL280
 SH 1 of 1

422927-001



NOTE:
DATA TO BE SIZED
SO THAT IT FITS INTO
MATERIAL DECAL
DIMENSIONS. MAKE
LETTERS & NUMBERS
AS LARGE AS POSSIBLE.

MATERIAL: CERAMATIC DGF-P4
PERMA GRIP ADHESIVE

ALL LETTERS, NUMBERS
AND LINES TO BE BLACK
ON WHITE BACKGROUND.

NOTE:
CONNECT ALL LEADS
WITH THE SAME MARKING
TOGETHER WHEN CONNECTING
POWER TO THE MOTOR

REV. DESC: CHANGE BACKGROUND COLOR FROM GOLD TO WHITE		
REV. LTR: B	VERSION: 02	TDR: 000000788708
FILE: \RGG\00000\203	REVISED: 08:09:29 03/04/2013	
MTL: -	BY: RGGWT	

BALDOR

EXTERNAL CONNECTION LABEL
SH 1 of 1

422927-001

Marketing maintained PDF of MN406:

<http://www.baldor.com/support/Literature/Load.ashx/MN406?ManNumber=MN406>